



**CAST IRON SPROCKETS DIN8187-ISO/R 606
3/8" x 7/32"**

Material: GG25

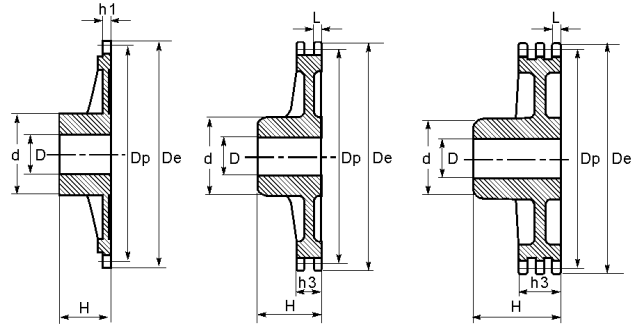
ISO 06B - 1 - 2 - 3 9,525 x 5,72mm

CHAIN :

Pitch : 9,525mm
Internal width : 5,72mm
Roller dia. : 6,35mm

Plate Wheel :

Radius width C : 1mm
Tooth width h1 : 15mm
Tooth width L : 5,2mm
Tooth width h2 : 15,4mm
Tooth width h3 : 25,6mm
Total height H : -



Teeth	De	Dp	Simplex			Duplex			Triplex		
			d	D	H	d	D	H	d	D	H
38	119.5	115.34	70	19	32	80	19	40	90	23	56
45	140.7	136.54	70	19	32	80	19	40	90	23	56
57	176.9	172.91	70	19	32	80	19	40	90	23	56
76	234.9	230.49	70	19	32	80	19	40	100	23	56
95	292.5	288.08	80	19	40	90	19	45	100	23	56
114	349.6	345.68	80	19	40	95	19	45	100	23	56
150	459.2	454.82	90	23	45	100	23	50	125	23	60

1/2" x 5/16"

ISO 08B - 1 - 2 - 3 12,7 x 7,75mm

CHAIN :

Pitch : 12,7mm
Internal width : 7,75mm
Roller dia. : 8,51mm

Plate Wheel :

Tooth radius r : 13mm
Radius width C : 1,3mm
Tooth width h1 : 7,2mm
Tooth width L : 7mm
Tooth width h2 : 21mm
Tooth width h3 : 34,9mm
Total height H : -

Teeth	De	Dp	Simplex			Duplex			Triplex		
			d	D	H	d	D	H	d	D	H
38	158.6	153.80	70	19	40	90	23	50	100	23	60
45	188.0	182.07	70	19	40	90	23	50	100	23	60
57	236.4	230.54	70	19	40	90	23	50	100	23	60
76	313.3	307.33	80	23	40	100	23	56	100	23	60
95	390.1	384.11	80	23	45	100	23	56	120	23	67
114	466.9	460.90	80	23	45	100	23	63	120	23	67



CAST IRON SPROCKETS DIN8187-ISO/R 606
5/8" x 3/8"

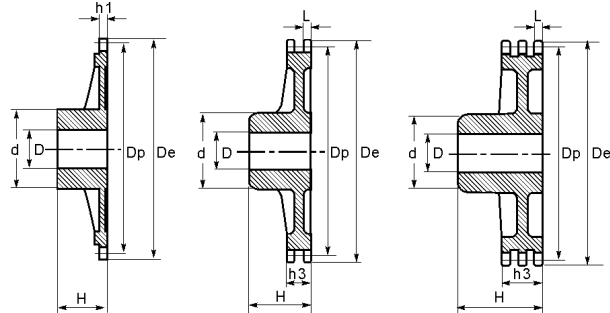
Material: GG25
ISO 10B - 1 - 2 - 3 15,875 x 9,65mm

CHAIN :

Pitch : 15,875mm
Internal width : 9,65mm
Roller dia. : 10,16mm

Plate Wheel :

Tooth radius r : 16mm
Radius width C : 1,6mm
Tooth width h1 : 9,1mm
Tooth width L : 9mm
Tooth width h2 : 25,5mm
Tooth width h3 : 42,1mm
Total height H : -



Teeth	De	Dp	Simplex			Duplex			Triplex		
			d	D	H	d	D	H	d	D	H
38	199.2	192.24	80	19	40	100	29	50	100	31	60
45	235	227.58	80	19	40	100	29	50	100	31	60
57	296	288.18	90	23	45	100	29	56	100	31	63
76	392.1	384.16	90	23	50	100	29	63	110	34	64
95	488.5	480.14	100	23	56	110	29	63	125	34	70
114	584.1	576.13	100	23	56	125	29	70	125	34	80

3/4" x 7/16"

ISO 12B - 1 - 2 - 3 19,05 x 11,68mm

CHAIN :

Pitch : 19,05mm
Internal width : 11,68mm
Roller dia. : 12,07mm
Tooth radius r : 19mm

Plate Wheel :

Radius width C : 2mm
Tooth width h1 : 11,1mm
Tooth width L : 10,8mm
Tooth width h2 : 30,3mm
Tooth width h3 : 49,8mm
Total height H : -

Teeth	De	Dp	Simplex			Duplex			Triplex		
			d	D	H	d	D	H	d	D	H
38	239.0	230.69	100	23	56	110	29	63	140	30	70
45	282.5	273.10	100	23	56	110	29	63	140	30	70
57	354.0	345.81	100	29	56	120	29	63	140	39	70
76	469.9	460.99	100	29	56	135	29	63	160	39	75
95	585.1	576.17	100	29	65	135	29	70	170	39	82
114	700.6	691.36	100	29	65	135	29	70	170	49	82



**CAST IRON SPROCKETS DIN8187-ISO/R 606
1" x 17,02mm**

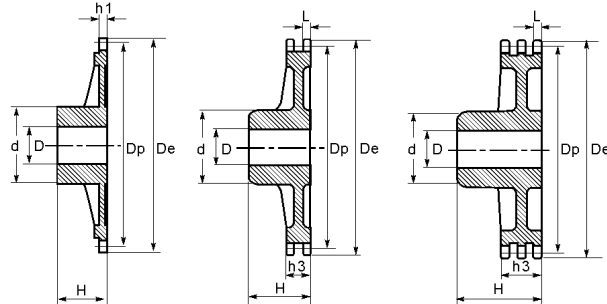
**Material: GG25
ISO 16B - 1 - 2 - 3 25,4 x 17,02mm**

CHAIN :

Pitch : 25,4mm
Internal width : 17,02mm
Roller dia. : 15,88mm

Plate Wheel :

Tooth radius r : 26mm
Radius width C : 2,5mm
Tooth width h1 : 16,2mm
Tooth width L : 15,8mm
Tooth width h2 : 47,7mm
Tooth width h3 : 79,6mm
Total height H : -



Teeth	De	Dp	Simplex			Duplex			Triplex		
			d	D	H	d	D	H	d	D	H
30	254.0	243.00	110	29	65	125	39	75	145	39	90
38	320.0	307.59	110	29	65	140	39	75	160	44	100
45	377.0	364.12	125	29	70	150	39	75	160	44	100
57	474.0	461.07	125	34	70	170	39	90	165	44	100
76	627.0	614.65	140	34	80	175	39	95	200	44	110
95	781.0	768.22	140	39	80	175	44	95	200	49	110
114	933.0	921.81	140	39	80	175	44	95	200	49	115

1" 1/4 x 3/4"

ISO 20B - 1 - 2 - 3 31,75 x 19,56mm

CHAIN :

Pitch : 31,75mm
Internal width : 19,56mm
Roller dia. : 19,05mm

Plate Wheel :

Tooth radius r : 32mm
Radius width C : 3,5mm
Tooth width h1 : 18,5mm
Tooth width L : 18,2mm
Tooth width h2 : 54,6mm
Tooth width h3 : 91mm
Total height H : -

Teeth	De	Dp	Simplex			Duplex			Triplex		
			d	D	H	d	D	H	d	D	H
30	318.9	303.75	115	35	70	130	40	80	160	50	100
38	399.6	384.49	125	35	70	140	44	90	180	56	110
45	470.3	455.17	125	35	70	140	44	90	180	56	110
57	591.5	576.36	135	40	80	160	50	100	180	60	125
76	783.5	768.32	140	40	80	180	50	100	200	60	140



CAST IRON SPROCKETS DIN8187-ISO/R 606
1"1/2 x 1"

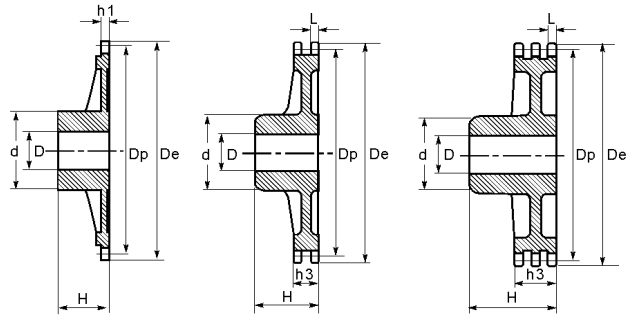
Material: GG25
ISO 24B - 1 - 2 - 3 38,1 x 25,4mm

CHAIN :

Pitch : 38,1mm
Internal width : 25,4mm
Roller dia. : 25,4mm

Plate Wheel :

Tooth radius r : 38mm
Radius width C : 4mm
Tooth width h_1 : 24,1mm
Tooth width L : 23,6mm
Tooth width h_2 : 72mm
Tooth width h_3 : 120,3mm
Total height H : -



Teeth	De	Dp	Simplex			Duplex			Triplex		
			d	D	H	d	D	H	d	D	H
30	379.5	364.50	130	40	85	160	40	95	180	60	150
38	476.2	461.39	140	45	90	180	45	100	200	60	150
45	561.2	546.20	140	45	90	180	45	100	200	60	150
57	706.5	691.63	160	45	100	200	55	110	200	70	150
76	936.9	921.98	170	45	100	220	55	120			
95	1167.3	1152.33	200	50	125	220	55	140			