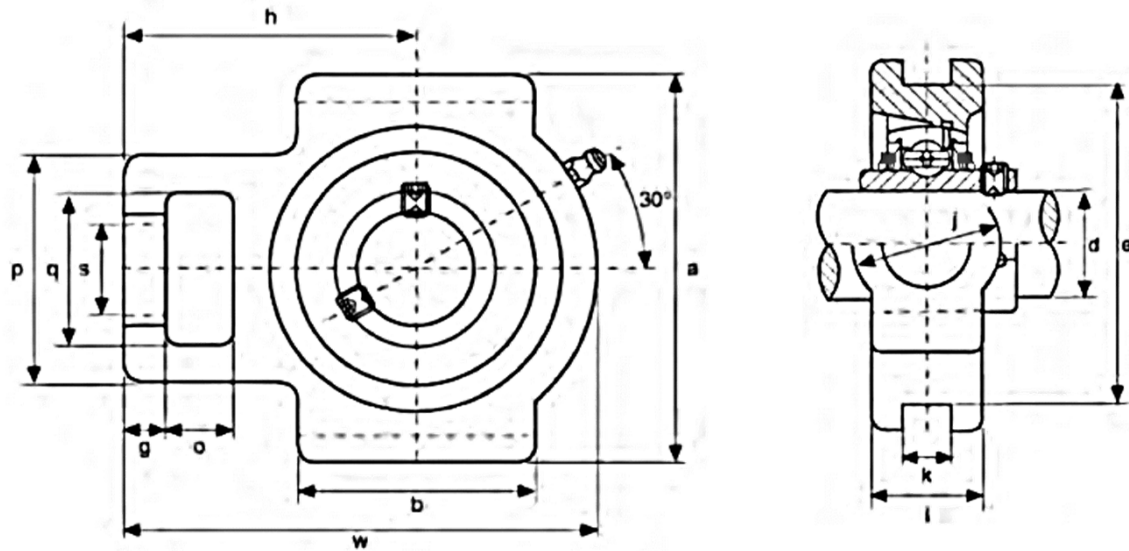


Pillow blocks



UCT Pillow blocks

SIZE	Shaft Dia.		Dimensions													Bearing size	Housing size	Weight (kg)
	d inch	d mm	o	g	p	q	s	b	k	e	a	w	j	l	h			
UCT204		20	16	10	51	32	19	51	12	76	89	94	32	24	61	UC 204	T204	0.74
UCT204-12	3/4"															UC 204-12		
UCT205		25	16	10	51	32	19	51	12	76	89	97	32	24	62	UC205	T205	0.8
UCT205-16	1"															UC 205-16		
UCT206		30	16	10	56	37	22	57	12	89	102	113	37	28	70	UC 206	T206	1.16
UCT206-20	1.1/4"															UC 206-20		
UCT207		35	16	13	64	37	22	64	12	89	102	129	37	30	78	UC 207	T207	1.56
UCT207-20	1.1/4"															UC 207-20		
UCT207-22	1.3/8"															UC 207-22		
UCT208		40	19	16	83	49	29	83	16	102	114	144	49	33	89	UC 208	T208	2.32
UCT208-24	1.1/2"															UC 208-24		
UCT209		45	19	16	83	49	29	83	16	102	117	144	49	35	87	UC 209	T209	2.28
UCT209-28	1.3/4"															UC 209-28		
UCT210		50	19	16	83	49	29	86	16	102	117	149	49	35	90	UC 210	T210	2.44
UCT210-32	2"															UC 210-32		
UCT211		55	25	19	102	64	35	95	22	130	146	171	64	41	106	UC 211	T211	3.78
UCT211-32	2"															UC 211-32		
UCT211-34	2.1/8"															UC 211-34		
UCT212		60	32	19	102	64	35	102	22	130	146	194	64	46	119	UC 212	T212	4.72
UCT212-36	2.1/4"															UC 212-36		