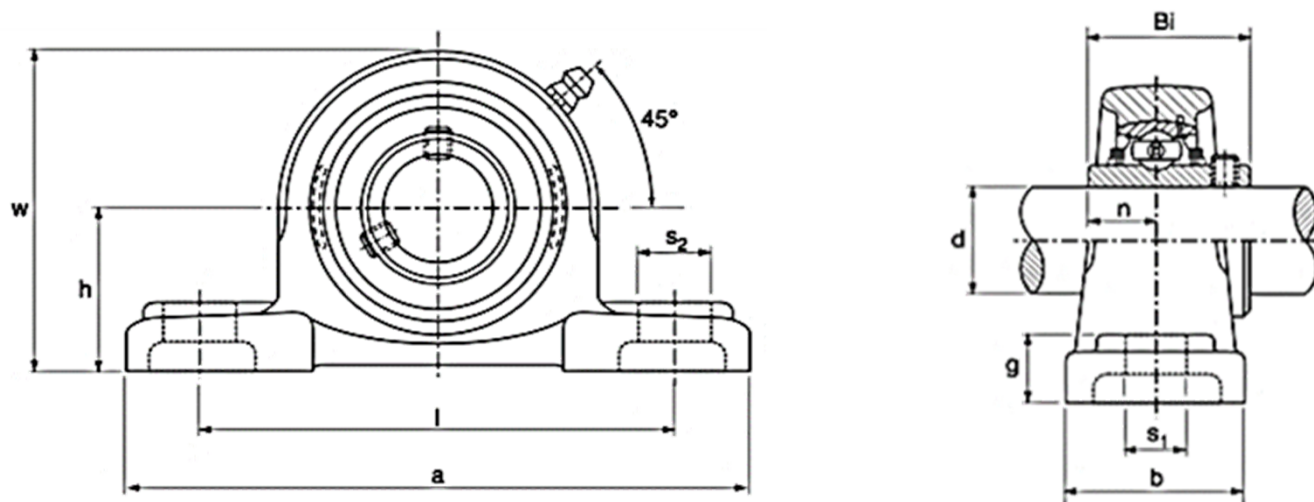


Pillow blocks



UCP Pillow Blocks

SIZE	Shaft Dia.		Dimensions										Bolt		Bearing size	Housing size
	d inch	d mm	h	a	l	b	s ₂	s ₁	g	w	Bi	n	inch	mm		
UCP 204	3/4"	20	33.3	127	95	38	19	13	14	65	31	12.7	3/8	M10	UC 204	P204
UCP 204-12															UC 204-12	
UCP 205	1"	25	36.5	140	105	38	19	13	15	71	34.1	14.3	3/8	M10	UC 205	P205
UCP 205-16															UC 205-16	
UCP 206	1.1/8"	30	42.9	165	121	48	20	17	17	84	38.1	15.9	1/2	M14	UC 206	P206
UCP 206-18															UC 206-18	
UCP 207	1.1/4"	35	47.6	167	127	48	20	17	18	93	42.9	17.5	1/2	M14	UC 207	P207
UCP 207-20															UC 207-20	
UCP 207-22															UC 207-22	
UCP 208	1.1/2"	40	49.2	184	137	54	20	17	18	100	49.2	19	1/2	M14	UC 208	P208
UCP 208-24															UC 208-24	
UCP 209	1.3/4"	45	54	190	146	54	20	17	20	106	49.2	19	1/2	M14	UC 209	P209
UCP 209-28															UC 209-28	
UCP 210	2"	50	57.2	206	159	60	23	20	21	113	51.6	19	5/8	M16	UC 210	P210
UCP 210-32															UC 210-32	
UCP 211	2"	55	63.5	219	171	60	23	20	23	125	55.6	22.2	5/8	M16	UC 211	P211
UCP 211-32															UC 211-32	
UCP 212	2.1/4"	60	69.8	241	184	70	23	20	25	138	65.1	25.4	5/8	M16	UC 212	P212
UCP 212-36															UC 212-36	
UCP 213	2.1/2"	65	76.2	265	203	70	28	25	27	150	65.1	25.4	3/4	M20	UC 213	P213
UCP 213-40															UC 213-40	
UCP 214	2.3/4"	70	79.4	266	210	72	28	25	27	156	74.6	30.2	3/4	M20	UC 214	P214
UCP 214-44															UC 214-44	
UCP 215	3"	75	82.6	275	217	74	28	25	28	162	77.8	33.3	3/4	M20	UC 215	P215
UCP 215-48															UC 215-48	
UCP 216	3.1/8"	80	88.9	292	232	78	28	25	30	174	82.6	33.3	3/4	M20	UC 216	P216
UCP 216-50															UC 216-50	