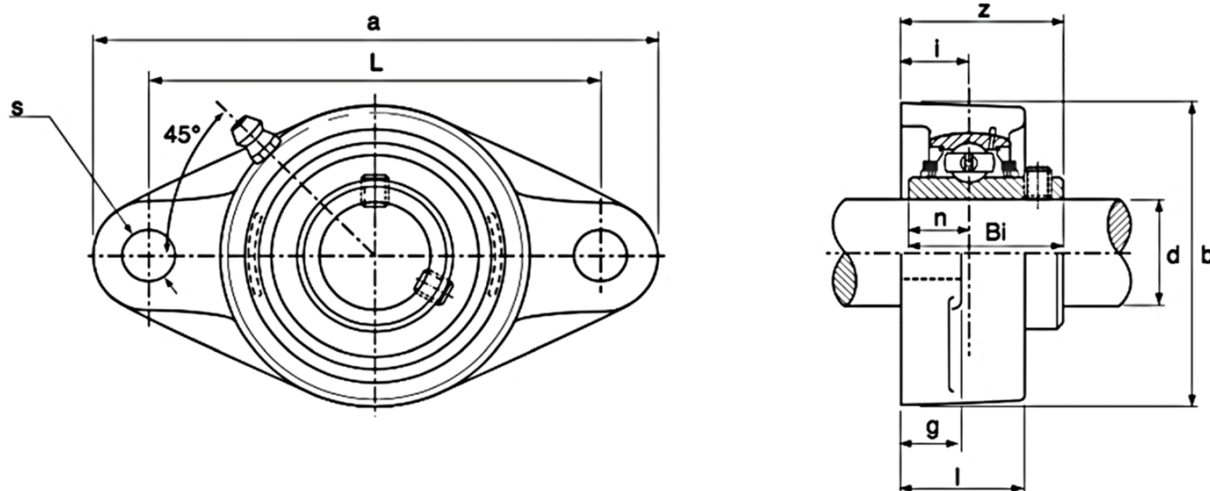


Pillow blocks



UCFL Pillow blocks

SIZE	Shaft Dia.		Dimensions										Bolt Size		Bearing size	Housing size
	d inch	d mm	a	L	i	g	l	s	b	z	Bi	n	inch	mm		
UCFL 204		20	113	90	15	11	25.5	12	60	33.3	31	12.7		M10	UC 204	FL 204
UCFL 204-12	3/4"												3/8"		UC 204-12	
UCFL 205		25	130	99	16	13	27	16	68	35.8	34.1	14.3		M14	UC 205	FL 205
UCFL 205-16	1"												1/2"		UC 205-16	
UCFL 206		30	148	117	18	13	31	16	80	40.2	38.1	15.9		M14	UC 206	FL 206
UCFL 206-20	1.1/4"												1/2"		UC 206-20	
UCFL 207		35	161	130	19	14	34	16	90	44.4	42.9	17.5		M14	UC 207	FL 207
UCFL 207-20	1.1/4"												1/2"		UC 207-20	
UCFL 207-22	1.3/8"														UC 207-22	
UCFL 208		40	175	144	21	14	36	16	100	51.2	49.2	19		M14	UC 208	FL 208
UCFL 208-24	1.1/2"												1/2"		UC 208-24	
UCFL 209		45	188	148	22	15	38	19	108	52.2	49.2	19		M16	UC 209	FL 209
UCFL 209-28	1.3/4"												5/8"		UC 209-28	
UCFL 210		50	197	157	22	15	40	19	115	54.6	51.6	19		M16	UC 210	FL 210
UCFL 210-32	2"												5/8"		UC 210-32	
UCFL 211		55	224	184	25	18	43	19	130	58.4	55.6	22.2		M16	UC 211	FL 211
UCFL 211-32	2"												5/8"		UC 211-32	
UCFL 212		60	250	202	29	18	48	23	140	68.7	65.1	25.4		M20	UC 212	FL 212
UCFL 212-36	2.1/4"												3/4"		UC 212-36	
UCFL 213		65	258	210	30	22	50	23	155	69.7	65.1	25.4		M20	UC 213	FL 213
UCFL 213-40	2.1/2"												3/4"		UC 213-40	
UCFL 214		70	265	216	31	22	54	23	160	75.4	74.6	30.2		M20	UC 214	FL 214
UCFL 214-44	2.3/4"												3/4"		UC 214-44	
UCFL 215		75	275	225	34	22	56	23	165	78.5	77.8	33.3		M20	UC 215	FL 215
UCFL 215-48	3"												3/4"		UC 215-48	