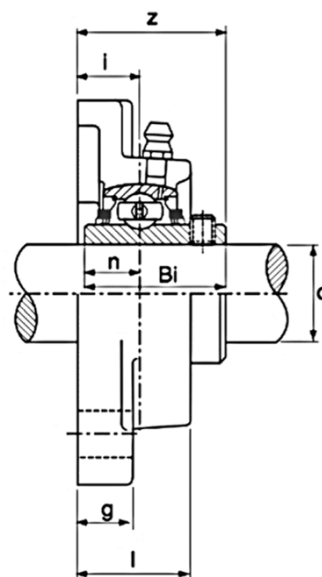
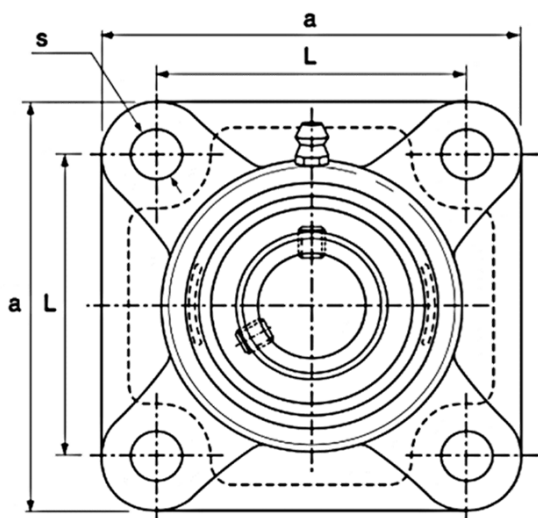


Pillow blocks



UCF Pillow blocks

SIZE	Shaft Dia.		Dimensions								Bolt Size		Bearing size	Housing size	
	d inch	d mm	a	l	b	s ₂	s ₁	g	w	Bi	n	inch			mm
UCF 204		20	86	64	15	12	25.5	12	33.3	31	12.7		M10	UC 204	F 204
UCF 204-12	3/4"											3/8"		UC 204-12	
UCF 205		25	95	70	16	14	27	12	35.8	34.1	14.3		M10	UC 205	F 205
UCF 205-16	1"											3/8"		UC 205-16	
UCF 206		30	108	83	18	14	31	12	40.2	38.1	15.9		M10	UC 206	F 206
UCF 206-18	1.1/8"											3/8"		UC 206-18	
UCF 207		35	117	92	19	16	34	14	44.4	42.9	17.5		M12	UC 207	F 207
UCF 207-20	1.1/4"											7/16"		UC 207-20	
UCF 207-22	1.3/8"													UC 207-22	
UCF 208		40	130	102	21	16	36	16	51.2	49.2	19		M14	UC 208	F 208
UCF 208-24	1.1/2"											1/2"		UC 208-24	
UCF 209		45	137	105	22	18	38	16	52.2	49.2	19		M14	UC 209	F 209
UCF 209-28	1.3/4"											1/2"		UC 209-28	
UCF 210		50	143	111	22	18	40	16	54.6	51.6	19		M14	UC 210	F 210
UCF 210-32	2"											1/2"		UC 210-32	
UCF 211		55	162	130	25	20	43	19	58.4	55.6	22.2		M16	UC 211	F 211
UCF 211-32	2"											5/8"		UC 211-32	
UCF 212		60	175	143	29	20	48	19	68.7	65.1	25.4		M16	UC 212	F 212
UCF 212-36	2.1/4"											5/8"		UC 212-36	
UCF 213		65	187	149	30	22	50	19	69.7	65.1	25.4		M16	UC 213	F 213
UCF 213-40	2.1/2"											5/8"		UC 213-40	
UCF 214		70	193	152	31	22	54	19	75.4	74.6	30.2		M16	UC 214	F 214
UCF 214-44	2.3/4"											5/8"		UC 214-44	
UCF 215		75	200	159	34	22	56	19	78.5	77.8	33.3		M16	UC 215	F 215
UCF 215-48	3"											5/8"		UC 215-48	
UCF 216		80	208	165	34	22	58	23	83.3	82.6	33.3		M20	UC 216	F 216
UCF 216-50	3.1/8"											3/4"		UC 216-50	