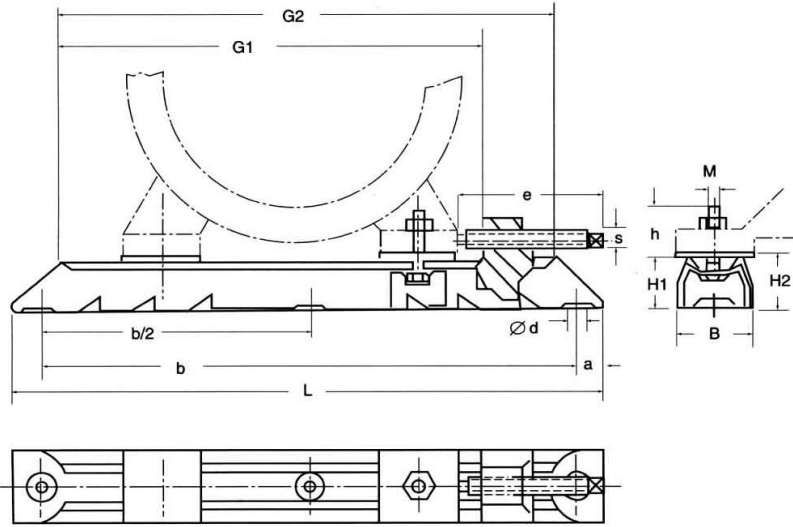


Motor rails



Dimensions sheet :

Type	L	G1	Motor	MXh	exs	G2	a	b	b/2	φd	B	H1	H2	Wt. (kg)
With movable blocks														
312/6	312	240	63/71	M6X19	75X6	262	16	280	-	12	40	28	30	1.4
312/8	312	240	80/90	M8X27	75X6	262	16	280	-	12	40	28	30	1.5
375/6	375	305	63/71	M6X19	75X6	325	16	343	-	12	40	28	30	1.5
375/8	375	305	80/90	M8X27	75X6	325	16	343	-	12	40	28	30	1.6
375/10	375	305	100/112	M10X32	75X6	325	16	343	-	12	40	28	30	1.6
395/8	395	302	80/90	M8X28	97X8	325	20	355	-	12	50	40	43	3.4
395/10	395	302	100/112	M10X35	97X8	325	20	355	-	12	50	40	43	3.4
495/8	495	405	80/90	M8X29	97X8	425	20	455	-	12	50	40	43	4.0
495/10	495	405	100/112/132	M10X35	97X8	425	20	455	-	12	50	40	43	4.0
495/12	495	405	160	M12X49	97X8	425	20	455	-	12	50	40	43	4.0
530/10	530	413	132	M10X37	119X9	442	25	480	-	14	60	50	54	6.4
530/12	530	413	160	M12X49	119X9	442	25	480	-	14	60	50	54	6.4
630/10	630	515	132	M10X37	119X9	542	25	580	-	14	60	50	54	8.2
630/12	630	515	160/180	M12X45	119X9	542	25	580	-	14	60	50	54	8.2
686/12	686	538	160/180	M12X43	154X12	575	28	630	315	18	75	60	64	12.8
686/16	686	538	200/225	M16X62	154X12	575	28	630	315	18	75	60	64	12.8
With welded blocks														
864/16	864	700	200/225	M16X60	300X16	810	32	800	400	24	90	75	-	16.6
864/20	864	700	250/280	M20X68	300X16	810	32	800	400	24	90	75	-	16.6
1072/20	1072	865	250/280	M20X77	360X19	995	36	1000	500	30	112	100	-	33.4
1072/24	1072	865	315	M24X88	360X19	995	36	1000	500	30	112	100	-	33.5
1330/24	1330	1065	315/355	M24X95	430X21	1215	40	1250	625	30	130	125	-	56.6