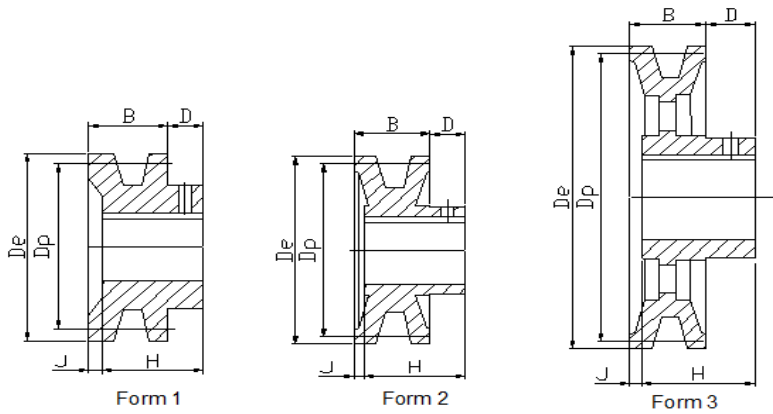


BORED TO SIZE SHEAVES

直孔皮带轮



for "4L" or "A" Belts and "3L" Belts
与"4L", "A"和"3L"型号皮带配合使用

AK17 TO AK184

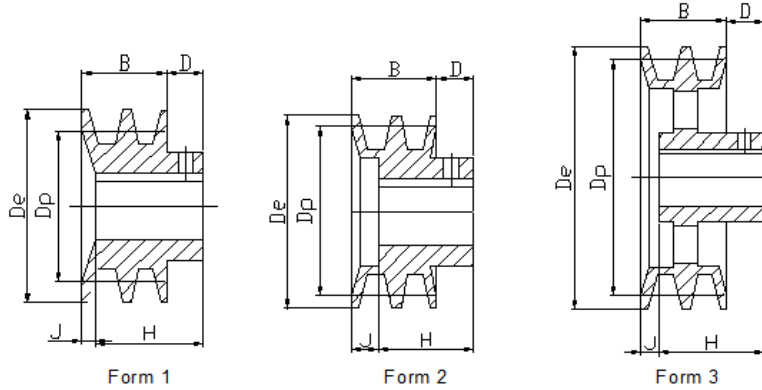
Table 1

(in.)

SIZE 规格	Diameter			Form 型号	Dimensions				Stock Bores 孔径
	De 外径	Dp 节径 "A" "3L"			B	H	D	J	
AK17	1.75	1.50	1.16	1	21/32	15/16	7/16	5/32	1/2,5/8
AK20	2	1.80	1.46	1	21/32	15/16	7/16	5/32	1/2,5/8,3/4
AK21	2.1	1.90	1.56	1	21/32	15/16	7/16	5/32	1/2,5/8,3/4
AK22	2.2	2.00	1.66	1	21/32	15/16	7/16	5/32	1/2,5/8,3/4
AK23	2.3	2.10	1.76	1	21/32	15/16	7/16	5/32	1/2,5/8,3/4
AK25	2.5	2.30	1.96	2	21/32	15/16	7/16	5/32	1/2,5/8,3/4
AK26	2.6	2.40	2.06	2	21/32	15/16	7/16	5/32	1/2,5/8,3/4
AK27	2.7	2.50	2.16	2	21/32	15/16	7/16	5/32	1/2,5/8,3/4
AK28	2.8	2.60	2.26	2	21/32	15/16	7/16	5/32	1/2,5/8,3/4
AK30	3.05	2.80	2.46	2	21/32	15/16	7/16	5/32	1/2,5/8,3/4,7/8
AK32	3.25	3.00	2.66	2	21/32	15/16	7/16	5/32	1/2,5/8,3/4,7/8
AK34	3.45	3.20	2.86	2	21/32	15/16	7/16	5/32	1/2,5/8,3/4,7/8
AK39	3.75	3.50	3.16	2	3/4	1 5/32	15/32	1/16	1/2,5/8,3/4,7/8,15/16,1
AK41	3.95	3.70	3.36	2	3/4	1 5/32	15/32	1/16	1/2,5/8,3/4,7/8,15/16,1
AK44	4.25	4.00	3.66	3	3/4	1 5/32	15/32	1/16	1/2,5/8,3/4,7/8,15/16,1,1 1/8
AK46	4.45	4.20	3.86	3	3/4	1 5/32	15/32	1/16	1/2,5/8,3/4,7/8,15/16,1,1 1/8
AK49	4.75	4.50	4.16	3	3/4	1 5/32	15/32	1/16	1/2,5/8,3/4,7/8,15/16,1,1 1/8
AK51	4.95	4.70	4.36	3	3/4	1 5/32	15/32	1/16	1/2,5/8,3/4,7/8,1,1 1/8
AK54	5.25	5.00	4.66	3	3/4	1 5/32	15/32	1/16	1/2,5/8,3/4,7/8,15/16,1,1 1/8,1 3/16
AK56	5.45	5.20	4.86	3	3/4	1 5/32	15/32	1/16	1/2,5/8,3/4,7/8,15/16,1,1 1/8,1 3/16
AK59	5.75	5.50	5.16	3	3/4	1 5/32	15/32	1/16	1/2,5/8,3/4,7/8,15/16,1,1 1/8,1 3/16
AK61	5.95	5.70	5.36	3	3/4	1 5/32	15/32	1/16	1/2,5/8,3/4,7/8,15/16,1,1 1/8,1 3/16
AK64	6.25	6.00	5.66	3	3/4	1 5/32	15/32	1/16	1/2,5/8,3/4,7/8,15/16,1,1 1/8,1 3/16
AK66	6.45	6.20	5.86	3	3/4	1 5/32	15/32	1/16	5/8,3/4,1,1 1/8
AK69	6.75	6.50	6.16	3	3/4	1 15/32	23/32	0	3/4,1,1 1/8
AK71	6.95	6.70	6.36	3	3/4	1 15/32	23/32	0	5/8,3/4,1,1 1/8,1 7/8
AK74	7.25	7.00	6.66	3	3/4	1 15/32	23/32	0	1/2,5/8,3/4,15/16,1,1 1/8,1 3/16,1 1/4,1 7/16
AK79	7.75	7.50	7.16	3	3/4	1 15/32	23/32	0	3/4,1,1 1/8,1 7/16
AK84	8.25	8.00	7.66	3	3/4	1 15/32	23/32	0	1/2,5/8,3/4,15/16,1,1 3/16,1 7/16
AK89	8.75	8.50	8.16	3	3/4	1 15/32	23/32	0	3/4,1,1 1/8,1 7/16
AK94	9.25	9.00	8.66	3	3/4	1 15/32	23/32	0	1/2,5/8,3/4,15/16,1,1 3/16,1 1/4,1 7/16
AK99	9.75	9.50	9.16	3	3/4	1 15/32	23/32	0	3/4,1,1 7/16
AK104	10.25	10.00	9.66	3	3/4	1 15/32	23/32	0	5/8,3/4,1,1 3/16,1 1/4,1 3/8,1 7/16
AK109	10.75	10.50	10.16	3	3/4	1 15/32	23/32	0	3/4,1,1 3/8,1 7/16
AK114	11.25	11.00	10.66	3	3/4	1 15/32	23/32	0	3/4,1,1 3/16,1 7/16
AK124	12.25	12.00	11.66	3	3/4	1 15/32	23/32	0	5/8,3/4,1,1 3/16,1 1/4,1 7/16
AK134	13.25	13.00	12.66	3	3/4	1 15/32	23/32	0	3/4,1,1 3/16,1 3/8,1 7/16
AK144	14.25	14.00	13.66	3	3/4	1 15/32	23/32	0	3/4,1,1 3/16,1 7/16
AK154	15.25	15.00	14.66	3	3/4	1 15/32	23/32	0	3/4,1,1 3/16,1 3/8,1 7/16
AK184	18.25	18.00	17.66	3	3/4	1 15/32	23/32	0	3/4,1,1 3/16,1 7/16

BORED TO SIZE SHEAVES

直孔皮带轮



for "4L" or "A" Belts and "3L" Belts
与"4L","A"和"3L"型号皮带配合使用

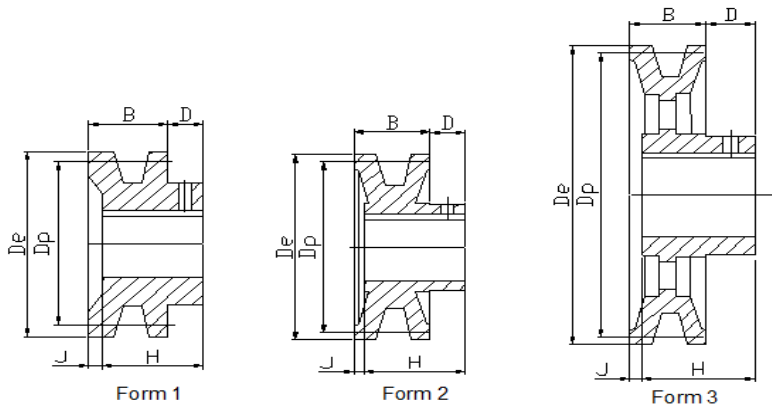
2AK20 TO 2AK184

Table 2

(in.)

SIZE 规格	Diameter			Form 型号	Dimensions				Stock Bores 孔径
	De 外径	Dp 节径			B	H	D	J	
		"A"	"3L"						
2AK20	2.00	1.80	1.46	1	1 3/8	1 21/32	15/32	3/16	1/2, 5/8, 3/4
2AK21	2.15	1.90	1.56	1	1 3/8	1 21/32	15/32	3/16	1/2, 5/8, 3/4
2AK22	2.25	2.00	1.66	1	1 3/8	1 21/32	15/32	3/16	1/2, 5/8, 3/4, 7/8
2AK23	2.35	2.10	1.76	1	1 3/8	1 21/32	15/32	3/16	5/8, 3/4, 7/8, 1
2AK25	2.55	2.30	1.96	1	1 3/8	1 21/32	15/32	3/16	5/8, 3/4, 7/8, 1
2AK26	2.65	2.40	2.06	1	1 3/8	1 21/32	15/32	3/16	5/8, 3/4, 7/8, 1
2AK27	2.75	2.50	2.16	1	1 3/8	1 21/32	15/32	3/16	5/8, 3/4, 7/8, 1
2AK28	2.85	2.60	2.26	1	1 3/8	1 21/32	15/32	3/16	5/8, 3/4, 7/8, 1
2AK30	3.05	2.80	2.46	1	1 3/8	1 21/32	15/32	3/16	1/2, 5/8, 3/4, 7/8, 1, 1 1/8
2AK32	3.25	3.00	2.66	1	1 3/8	1 21/32	15/32	3/16	5/8, 3/4, 7/8, 1, 1 1/8
2AK34	3.45	3.20	2.86	1	1 3/8	1 21/32	15/32	3/16	5/8, 3/4, 7/8, 1, 1 1/8
2AK39	3.75	3.50	3.16	2	1 3/8	1 11/32	15/32	1/2	5/8, 3/4, 7/8, 1, 1 1/8
2AK41	3.95	3.70	3.36	2	1 3/8	1 11/32	15/32	1/2	5/8, 3/4, 7/8, 1, 1 1/8
2AK44	4.25	4.00	3.66	2	1 3/8	1 11/32	15/32	1/2	5/8, 3/4, 7/8, 1, 1 1/8
2AK46	4.45	4.20	3.86	2	1 3/8	1 11/32	15/32	1/2	7/8, 1, 1 1/8
2AK49	4.75	4.50	4.16	2	1 3/8	1 11/32	15/32	1/2	3/4, 7/8, 1, 1 1/8, 1 3/8
2AK51	4.95	4.70	4.36	2	1 3/8	1 11/32	15/32	1/2	3/4, 7/8, 1, 1 1/8, 1 3/8
2AK54	5.25	5.00	4.66	3	1 3/8	1 11/32	15/32	1/2	5/8, 3/4, 7/8, 1, 1 1/8, 1 3/8
2AK56	5.45	5.20	4.86	3	1 3/8	1 11/32	15/32	1/2	5/8, 3/4, 1, 1 1/8, 1 3/8
2AK59	5.75	5.50	5.16	3	1 3/8	1 11/32	15/32	1/2	1, 1 1/8, 1 3/8
2AK61	5.95	5.70	5.36	3	1 3/8	1 11/32	15/32	1/2	3/4, 7/8, 1, 1 1/8, 1 3/8
2AK64	6.25	6.00	5.66	3	1 3/8	1 19/32	11/32	1/8	3/4, 1, 1 1/8, 1 3/16, 1 3/8, 1 7/16
2AK74	7.25	7.00	6.66	3	1 3/8	1 19/32	11/32	1/8	3/4, 1, 1 1/8, 1 3/16, 1 3/8, 1 7/16
2AK84	8.25	8.00	7.66	3	1 3/8	1 19/32	11/32	1/8	3/4, 15/16, 1, 1 1/8, 1 3/16, 1 3/8, 1 7/16
2AK94	9.25	9.00	8.66	3	1 3/8	1 19/32	11/32	1/8	3/4, 1, 1 1/8, 1 3/16, 1 3/8, 1 7/16
2AK104	10.25	10.00	9.66	3	1 3/8	1 19/32	11/32	1/8	3/4, 15/16, 1, 1 7/16
2AK114	11.25	11.00	10.66	3	1 3/8	1 19/32	11/32	1/8	3/4, 1, 1 3/16, 1 3/8, 1 7/16
2AK124	12.25	12.00	11.66	3	1 3/8	1 19/32	11/32	1/8	3/4, 1, 1 3/16, 1 7/16
2AK134	13.25	13.00	12.66	3	1 3/8	1 19/32	11/32	1/8	1 3/16, 1 7/16
2AK144	14.25	14.00	13.66	3	1 3/8	1 19/32	11/32	1/8	1, 1 7/16
2AK154	15.25	15.00	14.66	3	1 3/8	1 19/32	11/32	1/8	1 3/16, 1 7/16
2AK184	18.25	18.00	17.66	3	1 3/8	1 19/32	11/32	1/8	1 3/16, 1 7/16

BORED TO SIZE SHEAVES
直孔皮带轮



for "4L" or "A" Belts and "3L" or "B" Belts
与"4L","A"和"5L","B"型号皮带配合使用

BK24 TO BK190

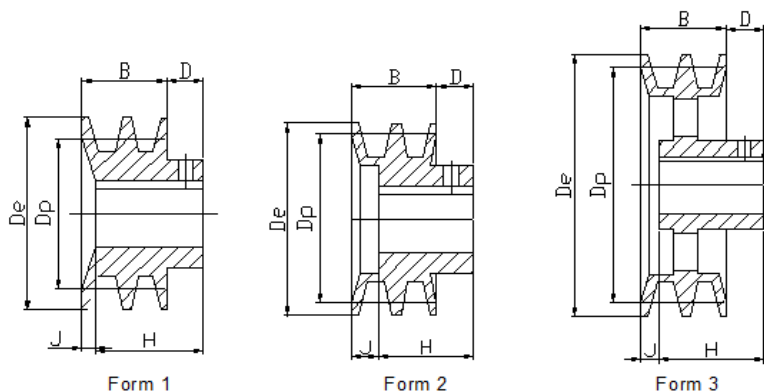
Table 3

(in)

SIZE 规格	Diameter			Form 型号	Dimensions				Stock Bores 孔径
	De 外径	Dp 节径			B	H	D	J	
		"A"	"B"						
BK24	2.40	1.80	2.20	1	13/16	1 1/16	13/32	5/32	1/2,5/8,3/4
BK25	2.50	1.90	2.30	1	13/16	1 1/16	13/32	5/32	1/2,5/8,3/4,7/8
BK26	2.60	2.00	2.40	1	13/16	1 1/16	13/32	5/32	1/2,5/8,3/4,7/8
BK27	2.70	2.10	2.50	2	13/16	1 1/16	13/32	5/32	1/2,5/8,3/4,7/8
BK28	2.95	2.20	2.60	2	13/16	1 1/16	13/32	5/32	1/2,5/8,3/4,7/8
BK30	3.15	2.40	2.80	2	13/16	1 1/16	13/32	5/32	1/2,5/8,3/4,7/8
BK32	3.35	2.60	3.00	2	13/16	1 1/16	13/32	5/32	1/2,5/8,3/4,7/8
BK34	3.55	2.80	3.20	2	7/8	1 5/32	13/32	1/8	1/2,5/8,3/4,7/8,1,1 1/8
BK36	3.75	3.00	3.40	2	7/8	1 5/32	13/32	1/8	1/2,5/8,3/4,7/8,1,1 1/8
BK40	3.95	3.20	3.60	2	7/8	1 5/32	13/32	1/8	1/2,5/8,3/4,7/8,1,1 1/8
BK45	4.25	3.50	3.90	2	7/8	1 5/32	13/32	1/8	1/2,5/8,3/4,7/8,1,1 1/8
BK47	4.45	3.70	4.10	2	7/8	1 5/32	13/32	1/8	1/2,5/8,3/4,7/8,1,1 1/8
BK50	4.75	4.00	4.40	3	7/8	1 5/32	13/32	1/8	1/2,5/8,3/4,7/8,15/16,1,1 1/8
BK52	4.95	4.20	4.60	3	7/8	1 5/32	13/32	1/8	1/2,5/8,3/4,7/8,1,1 1/8
BK55	5.25	4.50	4.90	3	7/8	1 5/32	13/32	1/8	1/2,5/8,3/4,7/8,1,1 1/8,1 3/16
BK57	5.45	4.70	5.10	3	7/8	1 5/32	13/32	1/8	5/8,3/4,7/8,15/16,1,1 1/8
BK60	5.75	5.00	5.40	3	7/8	1 5/32	13/32	1/8	1/2,5/8,3/4,7/8,1,1 1/8,1 3/16
BK62	5.95	5.20	5.60	3	7/8	1 5/32	13/32	1/8	1/2,5/8,3/4,7/8,15/16,1,1 1/8,1 3/16
BK65	6.25	5.50	5.90	3	7/8	1 5/32	13/32	1/8	5/8,3/4,1,1 1/8
BK67	6.45	5.70	6.10	3	7/8	1 5/32	13/32	1/8	5/8,3/4,1,1 1/8
BK70	6.75	6.00	6.40	3	7/8	1 15/32	21/32	1/16	5/8,3/4,15/16,1,1 1/8,1 3/16,1 7/16
BK72	6.95	6.20	6.60	3	7/8	1 15/32	21/32	1/16	3/4,1,1 1/8,1 3/8
BK75	7.25	6.50	6.90	3	7/8	1 15/32	21/32	1/16	3/4,1,1 1/8,1 3/8
BK77	7.45	6.70	7.10	3	7/8	1 15/32	21/32	1/16	3/4,1,1 1/8,1 3/8
BK80	7.75	7.00	7.40	3	7/8	1 15/32	21/32	1/16	5/8,3/4,7/8,1,1 1/8,1 3/16,1 1/4,1 3/8,1 7/16
BK85	8.25	7.50	7.90	3	7/8	1 15/32	21/32	1/16	3/4,1,1 1/8,1 3/8,1 7/16
BK90	8.75	8.00	8.40	3	7/8	1 15/32	21/32	1/16	3/4,7/8,15/16,1,1 1/8,1 3/16,1 3/8,1 7/16
BK95	9.25	8.50	8.90	3	7/8	1 15/32	21/32	1/16	3/4,1,1 1/8,1 3/8,1 7/16
BK100	9.75	9.00	9.40	3	7/8	1 15/32	21/32	1/16	3/4,7/8,15/16,1,1 1/8,1 3/16,1 1/4, 1 3/8,1 7/16
BK105	10.25	9.50	9.90	3	7/8	1 15/32	21/32	1/16	1,1 3/8,1 7/16
BK110	10.75	10.00	10.40	3	7/8	1 15/32	21/32	1/16	3/4,1,1 1/8,1 3/16,1 3/8,1 7/16
BK115	11.25	10.50	10.90	3	7/8	1 15/32	21/32	1/16	1,1 3/8,1 7/16
BK120	11.75	11.00	11.40	3	7/8	1 15/32	21/32	1/16	3/4,1,1 3/16,1 3/8,1 7/16
BK130	12.75	12.00	12.40	3	7/8	1 15/32	21/32	1/16	3/4,1,1 1/8,1 3/16,1 1/4,1 7/16
BK140	13.75	13.00	13.40	3	7/8	1 15/32	21/32	1/16	3/4,1,1 3/16,1 7/16
BK160	15.75	15.00	15.40	3	7/8	1 15/32	21/32	1/16	1,1 1/8,1 3/16,1 1/4,1 7/16
BK190	18.75	18.00	18.40	3	7/8	1 15/32	21/32	1/16	1,1 3/16,1 1/4,1 7/16

BORED TO SIZE SHEAVES

直孔皮带轮



for "4L" or "A" Belts and "5L" or "B" Belts
与"4L","A"和"5L","B"型号皮带配合使用

2BK24 TO 2BK190

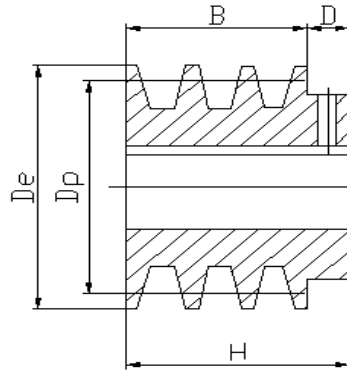
Table 4

(in)

SIZE 规格	Diameter			Form 型号	Dimensions				Stock Bores 孔径
	De 外径	Dp 节径			B	H	D	J	
		"A"	"B"						
2BK25	2.50	1.90	2.30	1	1 3/4	1 31/32	15/32	1/4	1/2,5/8,3/4,7/8
2BK27	2.70	2.10	2.50	1	1 3/4	1 31/32	15/32	1/4	1/2,5/8,3/4,7/8,1
2BK28	2.95	2.20	2.60	1	1 3/4	1 31/32	15/32	1/4	1/2,5/8,3/4,7/8,1,1 1/8
2BK30	3.15	2.40	2.80	1	1 3/4	1 31/32	15/32	1/4	1/2,5/8,3/4,7/8,1,1 1/8
2BK32	3.35	2.60	3.00	1	1 3/4	1 31/32	15/32	1/4	5/8,7/8,1,1 1/8
2BK34	3.55	2.80	3.20	1	1 3/4	1 31/32	15/32	1/4	5/8,3/4,7/8,1,1 1/8
2BK36	3.75	3.00	3.40	1	1 3/4	1 31/32	15/32	1/4	3/4,7/8,1,1 1/8,1 3/8
2BK40	3.95	3.20	3.60	2	1 3/4	1 15/32	15/32	3/4	5/8,3/4,7/8,1,1 1/8
2BK45	4.25	3.50	3.90	2	1 3/4	1 15/32	15/32	3/4	1,1 1/8,1 3/8
2BK47	4.45	3.70	4.10	2	1 3/4	1 15/32	15/32	3/4	7/8,1,1 1/8
2BK50	4.75	4.00	4.40	2	1 3/4	1 15/32	15/32	3/4	3/4,1,1 1/8,1 3/8
2BK52	4.95	4.20	4.60	2	1 3/4	1 15/32	15/32	3/4	7/8,1,1 1/8,1 3/8
2BK55	5.25	4.50	4.90	2	1 3/4	1 15/32	15/32	3/4	1 1/8,1 3/8
2BK57	5.45	4.70	5.10	2	1 3/4	1 15/32	15/32	3/4	1,1 1/8,1 3/8
2BK60	5.75	5.00	5.40	3	1 3/4	1 15/32	15/32	3/4	3/4,7/8,1,1 1/8,1 3/8
2BK62	5.95	5.20	5.60	3	1 3/4	1 15/32	15/32	3/4	1,1 1/8,1 3/8
2BK65	6.25	5.50	5.90	3	1 3/4	1 15/32	15/32	3/4	1,1 1/8,1 3/8
2BK67	6.45	5.70	6.10	3	1 3/4	1 15/32	15/32	3/4	1,1 1/8,1 3/8
2BK70	6.75	6.00	6.40	3	1 3/4	1 19/32	11/32	1/2	3/4,1,1 1/8,1 3/16,1 3/8,1 7/16
2BK80	7.75	7.00	7.40	3	1 3/4	1 19/32	11/32	1/2	3/4,1,1 1/8,1 3/16,1 3/8,1 7/16
2BK90	8.75	8.00	8.40	3	1 3/4	1 19/32	11/32	1/2	3/4,1,1 1/8,1 3/16,1 3/8,1 7/16
2BK100	9.75	9.00	9.40	3	1 3/4	1 19/32	11/32	1/2	3/4,1,1 1/8,1 3/16,1 3/8,1 7/16
2BK110	10.75	10.00	10.40	3	1 3/4	1 19/32	11/32	1/2	1,1 3/16,1 7/16
2BK120	11.75	11.00	11.40	3	1 3/4	1 19/32	11/32	1/2	1,1 3/16,1 7/16
2BK130	12.75	12.00	12.40	3	1 3/4	1 19/32	11/32	1/2	1,1 3/16,1 7/16
2BK140	13.75	13.00	13.40	3	1 3/4	1 19/32	11/32	1/2	1,1 3/16,1 7/16
2BK160	15.75	15.00	15.40	3	1 3/4	1 19/32	11/32	1/2	1,1 3/16,1 7/16
2BK190	18.75	18.00	18.40	3	1 3/4	1 19/32	11/32	1/2	1 3/16,1 7/16

BORED TO SIZE SHEAVES

直孔皮带轮



Form 1

for "4L" or "A" Belts and "5L" or "B" Belts
与"4L","A"和"5L","B"型号皮带配合使用

Table 5

3BK25 TO 3BK40

SIZE 规格	Diameter			Form 型号	Dimensions				Stock Bores 孔径
	De 外径	Dp 节径			B	H	D	J	
		"A"	"B"						
3BK25	2.50	1.90	2.30	1	2 1/2	3	1/2	5/8, 7/8	
3BK27	2.70	2.10	2.50	1	2 1/2	3	1/2	5/8, 7/8, 1	
3BK28	2.95	2.20	2.60	1	2 1/2	3	1/2	5/8, 7/8, 1, 1 1/8	
3BK30	3.15	2.40	2.80	1	2 1/2	3	1/2	7/8, 1, 1 1/8	
3BK32	3.35	2.60	3.00	1	2 1/2	3	1/2	7/8, 1, 1 1/8	
3BK34	3.55	2.80	3.20	1	2 1/2	3	1/2	7/8, 1, 1 1/8	
3BK36	3.75	3.00	3.40	1	2 1/2	3	1/2	7/8, 1, 1 1/8	
3BK40	3.95	3.20	3.60	1	2 1/2	3	1/2	7/8, 1, 1 1/8	

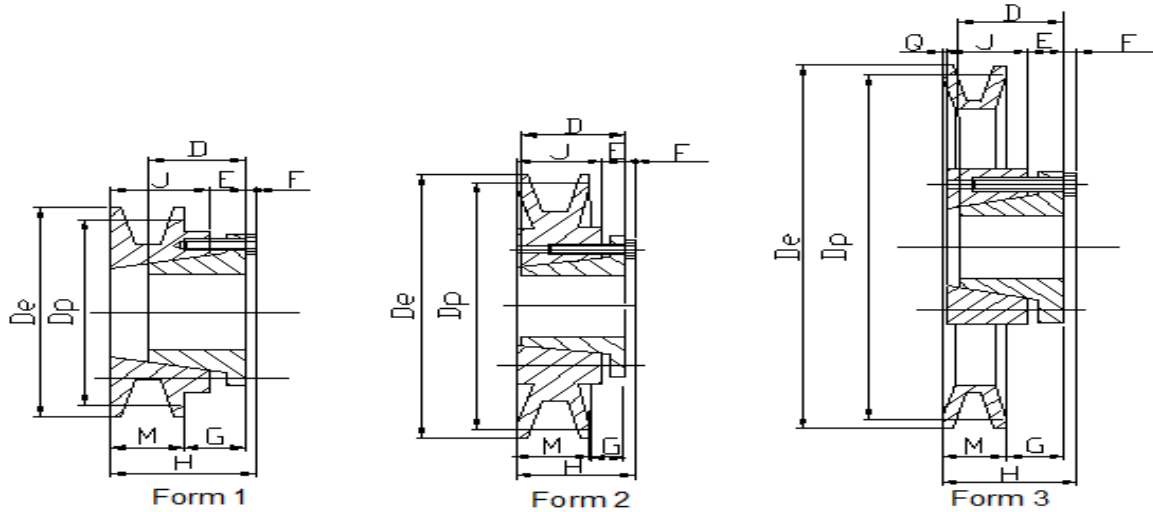
Table 6 (in.)

Bore Range 孔径	Keyseat 键槽
1/2	None
5/8 to 7/8	3/16 × 3/32
5/16 to 1 1/14	1/4 × 1/8
1 7/16	3/8 × 3/16

NOTE: THIS TABLE 6 IS SUITABLE FOR TABLE 1 TO TABLE 5.

QD SHEAVES

QD孔皮带轮



for "4L" or "A" Belts and "3L" Belts

与"4L","A"和"3L" 型号皮带配合使用

AK30H TO AK184H

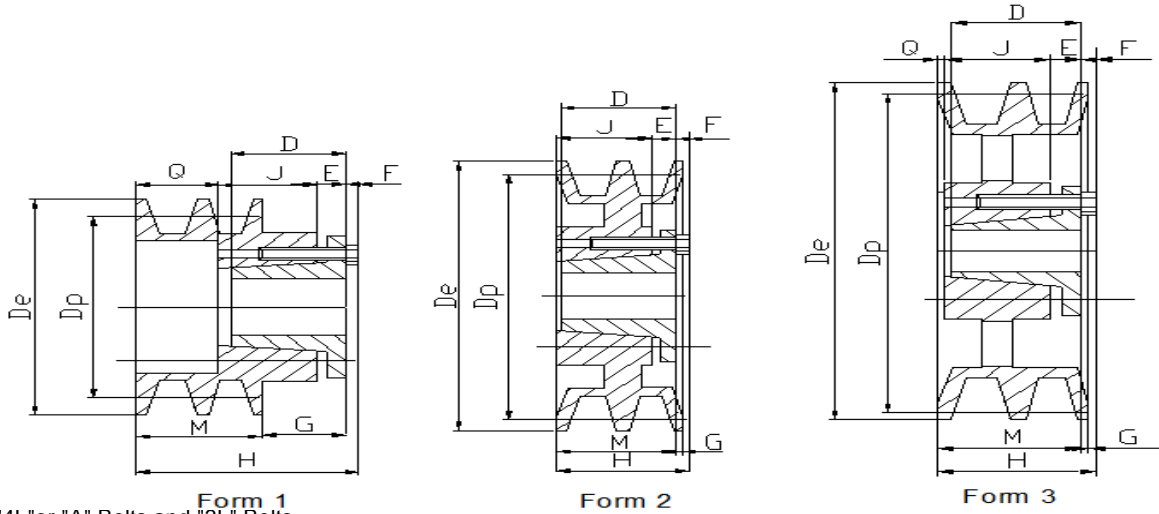
Table 7

(in.)

SIZE 规格	Diameter			Form 型号	BUSHIN G	DIMENSIONS							
	De 外径	Dp 节径				H	M	D	G	Q	J	E	F
		"A"	"3L"										
AK30H	3.05	2.80	2.46	1	H	1 13/16	3/4	1 1/4	7/8	-	1 3/16	7/16	3/16
AK32H	3.25	3.00	2.66	1	H	1 13/16	3/4	1 1/4	7/8	-	1 3/16	7/16	3/16
AK34H	3.45	3.20	2.86	2	H	1 1/2	3/4	1 1/4	9/16	-	7/8	7/16	3/16
AK39H	3.75	3.50	3.16	2	H	1 1/2	3/4	1 1/4	9/16	-	7/8	7/16	3/16
AK41H	3.95	3.70	3.36	2	H	1 1/2	3/4	1 1/4	9/16	-	7/8	7/16	3/16
AK44H	4.25	4.00	3.66	2	H	1 1/2	3/4	1 1/4	9/16	-	7/8	7/16	3/16
AK46H	4.45	4.20	3.86	2	H	1 1/2	3/4	1 1/4	9/16	-	7/8	7/16	3/16
AK49H	4.75	4.50	4.16	2	H	1 1/2	3/4	1 1/4	9/16	-	7/8	7/16	3/16
AK51H	4.95	4.70	4.36	2	H	1 1/2	3/4	1 1/4	9/16	-	7/8	7/16	3/16
AK54H	5.25	5.00	4.66	2	H	1 1/2	3/4	1 1/4	9/16	-	7/8	7/16	3/16
AK56H	5.45	5.20	4.86	2	H	1 1/2	3/4	1 1/4	9/16	-	7/8	7/16	3/16
AK59H	5.75	5.50	5.16	2	H	1 1/2	3/4	1 1/4	9/16	-	7/8	7/16	3/16
AK61H	5.95	5.70	5.36	3	H	1 1/2	3/4	1 1/4	9/16	-	7/8	7/16	3/16
AK64H	6.25	6.00	5.66	3	H	1 1/2	3/4	1 1/4	9/16	-	7/8	7/16	3/16
AK66H	6.45	6.20	5.86	3	H	1 1/2	3/4	1 1/4	9/16	-	7/8	7/16	3/16
AK69H	6.75	6.50	6.16	3	H	1 1/2	3/4	1 1/4	9/16	-	7/8	7/16	3/16
AK71H	6.95	6.70	6.36	3	H	1 1/2	3/4	1 1/4	9/16	-	7/8	7/16	3/16
AK74H	7.25	7.00	6.66	3	H	1 1/2	3/4	1 1/4	9/16	-	7/8	7/16	3/16
AK79H	7.75	7.50	7.16	3	H	1 1/2	3/4	1 1/4	9/16	-	7/8	7/16	3/16
AK84H	8.25	8.00	7.66	3	H	1 1/2	3/4	1 1/4	9/16	-	7/8	7/16	3/16
AK89H	8.75	8.50	8.16	3	H	1 1/2	3/4	1 1/4	9/16	-	7/8	7/16	3/16
AK94H	9.25	9.00	8.66	3	H	1 1/2	3/4	1 1/4	9/16	-	7/8	7/16	3/16
AK99H	9.75	9.50	9.16	3	H	1 1/2	3/4	1 1/4	9/16	-	7/8	7/16	3/16
AK104H	10.25	10.00	9.66	3	H	1 1/2	3/4	1 1/4	9/16	-	7/8	7/16	3/16
AK109H	10.75	10.50	10.16	3	H	1 1/2	3/4	1 1/4	9/16	-	7/8	7/16	3/16
AK114H	11.25	11.00	10.66	3	H	1 1/2	3/4	1 1/4	9/16	-	7/8	7/16	3/16
AK124H	12.25	12.00	11.66	3	H	1 1/2	3/4	1 1/4	9/16	-	7/8	7/16	3/16
AK134H	13.25	13.00	12.66	3	H	1 1/2	3/4	1 1/4	9/16	-	7/8	7/16	3/16
AK144H	14.25	14.00	13.66	3	H	1 1/2	3/4	1 1/4	9/16	-	7/8	7/16	3/16
AK154H	15.25	15.00	14.66	3	H	1 1/2	3/4	1 1/4	9/16	-	7/8	7/16	3/16
AK184H	18.25	18.00	17.66	3	H	1 1/2	3/4	1 1/4	9/16	-	7/8	7/16	3/16

QD SHEAVES

QD孔皮带轮



Form 1
for "4L" or "A" Belts and "3L" Belts
与"4L","A"和"3L"型号皮带配合使用

2AK30H TO 2AK184H

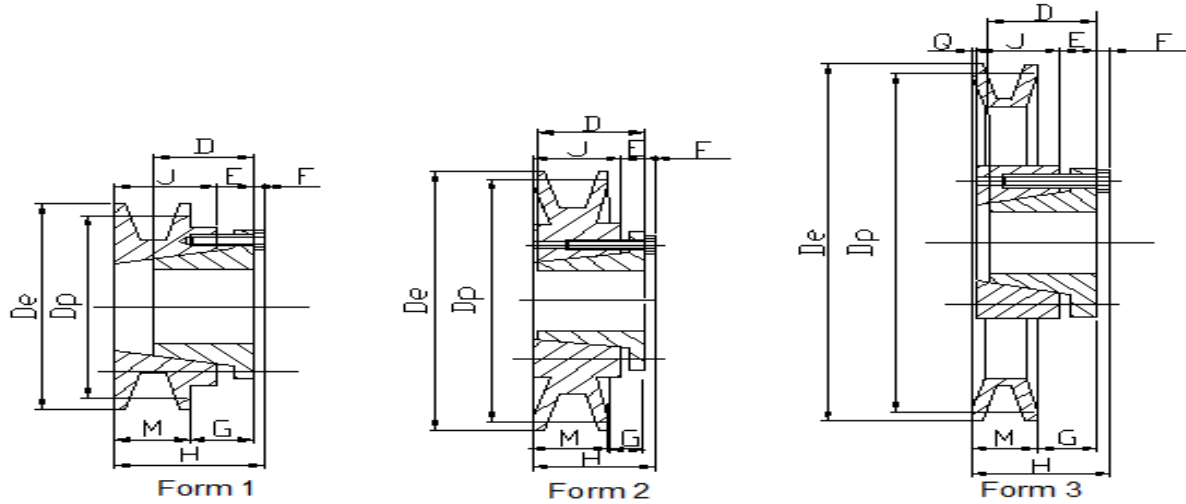
Table 8

(in.)

SIZE 规格	Diameter			Form 型号	BUSHIN G	DIMENSIONS							
	De 外径	Dp 节径				H	M	D	G	Q	J	E	F
		"A"	"3L"										
2AK30H	3.05	2.80	2.46	1	H	2 7/16	1 3/8	1 1/4	7/8	15/16	7/8	7/16	3/16
2AK32H	3.25	3.00	2.66	1	H	2 7/16	1 3/8	1 1/4	7/8	15/16	7/8	7/16	3/16
AK34H	3.45	3.20	2.86	1	H	2	1 3/8	1 1/4	7/16	1/2	7/8	7/16	3/16
AK39H	3.75	3.50	3.16	1	H	2	1 3/8	1 1/4	7/16	1/2	7/8	7/16	3/16
AK41H	3.95	3.70	3.36	2	H	1 1/2	1 3/8	1 1/4	1/16	-	7/8	7/16	3/16
AK44H	4.25	4.00	3.66	2	H	1 1/2	1 3/8	1 1/4	1/16	-	7/8	7/16	3/16
AK46H	4.45	4.20	3.86	2	H	1 1/2	1 3/8	1 1/4	1/16	-	7/8	7/16	3/16
AK49H	4.75	4.50	4.16	2	H	1 1/2	1 3/8	1 1/4	1/16	-	7/8	7/16	3/16
AK51H	4.95	4.70	4.36	2	H	1 1/2	1 3/8	1 1/4	1/16	-	7/8	7/16	3/16
AK54H	5.25	5.00	4.66	2	H	1 1/2	1 3/8	1 1/4	1/16	-	7/8	7/16	3/16
AK56H	5.45	5.20	4.86	2	H	1 1/2	1 3/8	1 1/4	1/16	-	7/8	7/16	3/16
AK59H	5.75	5.50	5.16	3	H	1 1/2	1 3/8	1 1/4	1/16	-	7/8	7/16	3/16
AK61H	5.95	5.70	5.36	3	H	1 1/2	1 3/8	1 1/4	1/16	-	7/8	7/16	3/16
AK64H	6.25	6.00	5.66	3	H	1 1/2	1 3/8	1 1/4	1/16	-	7/8	7/16	3/16
AK74H	7.25	7.00	6.66	3	H	1 1/2	1 3/8	1 1/4	1/16	-	7/8	7/16	3/16
AK84H	8.25	8.00	7.66	3	H	1 1/2	1 3/8	1 1/4	1/16	-	7/8	7/16	3/16
AK94H	9.25	9.00	8.66	3	H	1 1/2	1 3/8	1 1/4	1/16	-	7/8	7/16	3/16
AK104H	10.25	10.00	9.66	3	H	1 1/2	1 3/8	1 1/4	1/16	-	7/8	7/16	3/16
AK114H	11.25	11.00	10.66	3	H	1 1/2	1 3/8	1 1/4	1/16	-	7/8	7/16	3/16
AK124H	12.25	12.00	11.66	3	H	1 1/2	1 3/8	1 1/4	1/16	-	7/8	7/16	3/16
AK134H	13.25	13.00	12.66	3	H	1 1/2	1 3/8	1 1/4	1/16	-	7/8	7/16	3/16
AK144H	14.25	14.00	13.66	3	H	1 1/2	1 3/8	1 1/4	1/16	-	7/8	7/16	3/16
AK154H	15.25	15.00	14.66	3	H	1 1/2	1 3/8	1 1/4	1/16	-	7/8	7/16	3/16
AK184H	18.25	18.00	17.66	3	H	1 1/2	1 3/8	1 1/4	1/16	-	7/8	7/16	3/16

QD SHEAVES

QD孔皮带轮



for "4L" or "A" Belts and "5L" or "B" Belts
与"4L","A"和"5L","B"型号皮带配合使用

BK30H TO BK190H

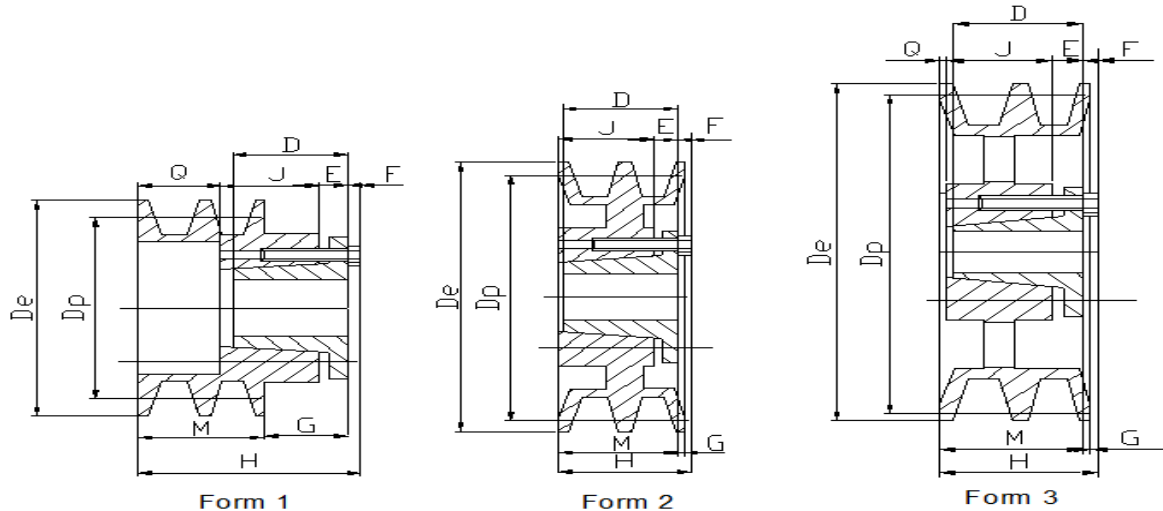
Table 9

(in.c)

SIZE 规格	Diameter			Form 型号	BUSHIN G	DIMENSIONS							
	De 外径	Dp 节径				H	M	D	G	Q	J	E	F
		"A"	"B"										
BK30H	3.15	2.40	2.80	1	H	1 15/16	7/8	1 1/4	7/8	-	15/16	7/16	3/16
BK32H	3.35	2.60	3.00	1	H	1 15/16	7/8	1 1/4	7/8	-	15/16	7/16	3/16
BK34H	3.55	2.80	3.20	1	H	1 15/16	7/8	1 1/4	7/8	-	15/16	7/16	3/16
BK36H	3.75	3.00	3.40	2	H	1 1/2	7/8	1 1/4	7/16	-	7/8	7/16	3/16
BK40H	3.95	3.20	3.60	2	H	1 1/2	7/8	1 1/4	7/16	-	7/8	7/16	3/16
BK45H	4.25	3.50	3.90	2	H	1 1/2	7/8	1 1/4	7/16	-	7/8	7/16	3/16
BK47H	4.45	3.70	4.10	2	H	1 1/2	7/8	1 1/4	7/16	-	7/8	7/16	3/16
BK50H	4.75	4.00	4.40	2	H	1 1/2	7/8	1 1/4	7/16	-	7/8	7/16	3/16
BK52H	4.95	4.20	4.60	2	H	1 1/2	7/8	1 1/4	7/16	-	7/8	7/16	3/16
BK55H	5.25	4.50	4.90	2	H	1 1/2	7/8	1 1/4	7/16	-	7/8	7/16	3/16
BK57H	5.45	4.70	5.10	2	H	1 1/2	7/8	1 1/4	7/16	-	7/8	7/16	3/16
BK60H	5.75	5.00	5.40	2	H	1 1/2	7/8	1 1/4	7/16	-	7/8	7/16	3/16
BK62H	5.95	5.20	5.60	2	H	1 1/2	7/8	1 1/4	7/16	-	7/8	7/16	3/16
BK65H	6.25	5.50	5.90	2	H	1 1/2	7/8	1 1/4	7/16	-	7/8	7/16	3/16
BK67H	6.45	5.70	6.10	2	H	1 1/2	7/8	1 1/4	7/16	-	7/8	7/16	3/16
BK70H	6.75	6.00	6.40	3	H	1 9/16	7/8	1 1/4	1/2	1/16	7/8	7/16	3/16
BK72H	6.95	6.20	6.60	3	H	1 9/16	7/8	1 1/4	1/2	1/16	7/8	7/16	3/16
BK75H	7.25	6.50	6.90	3	H	1 9/16	7/8	1 1/4	1/2	1/16	7/8	7/16	3/16
BK77H	7.45	6.70	7.10	3	H	1 9/16	7/8	1 1/4	1/2	1/16	7/8	7/16	3/16
BK80H	7.75	7.00	7.40	3	H	1 9/16	7/8	1 1/4	1/2	1/16	7/8	7/16	3/16
BK85H	8.25	7.50	7.90	3	H	1 9/16	7/8	1 1/4	1/2	1/16	7/8	7/16	3/16
BK90H	8.75	8.00	8.40	3	H	1 9/16	7/8	1 1/4	1/2	1/16	7/8	7/16	3/16
BK95H	9.25	8.50	8.90	3	H	1 9/16	7/8	1 1/4	1/2	1/16	7/8	7/16	3/16
BK100H	9.75	9.00	9.40	3	H	1 9/16	7/8	1 1/4	1/2	1/16	7/8	7/16	3/16
BK105H	10.25	9.50	9.90	3	H	1 9/16	7/8	1 1/4	1/2	1/16	7/8	7/16	3/16
BK110H	10.75	10.00	10.40	3	H	1 9/16	7/8	1 1/4	1/2	1/16	7/8	7/16	3/16
BK115H	11.25	10.50	10.90	3	H	1 9/16	7/8	1 1/4	1/2	1/16	7/8	7/16	3/16
BK120H	11.75	11.00	11.40	3	H	1 9/16	7/8	1 1/4	1/2	1/16	7/8	7/16	3/16
BK130H	12.75	12.00	12.40	3	H	1 9/16	7/8	1 1/4	1/2	1/16	7/8	7/16	3/16
BK140H	13.75	13.00	13.40	3	H	1 9/16	7/8	1 1/4	1/2	1/16	7/8	7/16	3/16
BK150H	14.75	14.00	14.40	3	H	1 9/16	7/8	1 1/4	1/2	1/16	7/8	7/16	3/16
BK160H	15.75	15.00	15.40	3	H	1 9/16	7/8	1 1/4	1/2	1/16	7/8	7/16	3/16
BK190H	18.75	18.00	18.40	3	H	1 9/16	7/8	1 1/4	1/2	1/16	7/8	7/16	3/16

QD SHEAVES

QD孔皮带轮



Form 1
for "4L" or "A" Belts and "5L" or "B" Belts
与"4L", "A"和"5L", "B"型号皮带配合使用

2BK32H TO 2BK190H

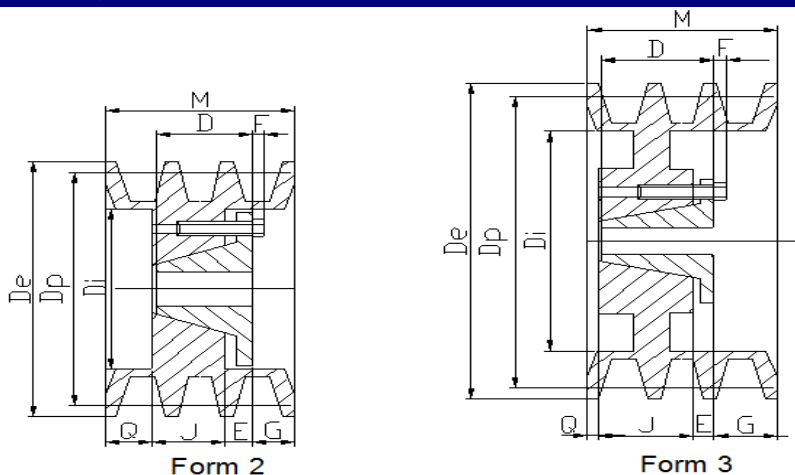
Table 10

(in.)

SIZE 规格	Diameter			Form 型号	BUSHIN G	DIMENSIONS							
	De 外径	Dp 节径				H	M	D	G	Q	J	E	F
		"A"	"B"										
2BK32H	3.35	2.60	3.00	1	H	2 13/16	1 3/4	1 1/4	7/8	1 5/16	7/8	7/16	3/16
2BK34H	3.55	2.80	3.20	1	H	2 13/16	1 3/4	1 1/4	7/8	1 5/16	7/8	7/16	3/16
2BK36H	3.75	3.00	3.40	1	H	2 3/8	1 3/4	1 1/4	7/16	7/8	7/8	7/16	3/16
2BK40H	3.95	3.20	3.60	1	H	2 3/8	1 3/4	1 1/4	7/16	7/8	7/8	7/16	3/16
2BK45H	4.25	3.50	3.90	1	H	2 3/8	1 3/4	1 1/4	7/16	7/8	7/8	7/16	3/16
2BK47H	4.45	3.70	4.10	2	H	1 3/4	1 3/4	1 1/4	7/16	-	7/8	7/16	3/16
2BK50H	4.75	4.00	4.40	2	H	1 3/4	1 3/4	1 1/4	7/16	-	7/8	7/16	3/16
2BK52H	4.95	4.20	4.60	2	H	1 3/4	1 3/4	1 1/4	7/16	-	7/8	7/16	3/16
2BK55H	5.25	4.50	4.90	2	H	1 3/4	1 3/4	1 1/4	7/16	-	7/8	7/16	3/16
2BK57H	5.45	4.70	5.10	2	H	1 3/4	1 3/4	1 1/4	7/16	-	7/8	7/16	3/16
2BK60H	5.75	5.00	5.40	2	H	1 3/4	1 3/4	1 1/4	7/16	-	7/8	7/16	3/16
2BK62H	5.95	5.20	5.60	2	H	1 3/4	1 3/4	1 1/4	7/16	-	7/8	7/16	3/16
2BK65H	6.25	5.50	5.90	3	H	1 3/4	1 3/4	1 1/4	7/16	1/4	7/8	7/16	3/16
2BK67H	6.45	5.70	6.10	3	H	1 3/4	1 3/4	1 1/4	7/16	1/4	7/8	7/16	3/16
2BK70H	6.75	6.00	6.40	3	H	1 3/4	1 3/4	1 1/4	7/16	1/4	7/8	7/16	3/16
2BK80H	7.75	7.00	7.40	3	H	1 3/4	1 3/4	1 1/4	7/16	1/4	7/8	7/16	3/16
2BK90H	8.75	8.00	8.40	3	H	1 3/4	1 3/4	1 1/4	7/16	1/4	7/8	7/16	3/16
2BK100H	9.75	9.00	9.40	3	H	1 3/4	1 3/4	1 1/4	7/16	1/4	7/8	7/16	3/16
2BK110H	10.75	10.00	10.40	3	H	1 3/4	1 3/4	1 1/4	7/16	1/4	7/8	7/16	3/16
2BK120H	11.75	11.00	11.40	3	H	1 3/4	1 3/4	1 1/4	7/16	1/4	7/8	7/16	3/16
2BK130H	12.75	12.00	12.40	3	H	1 3/4	1 3/4	1 1/4	7/16	1/4	7/8	7/16	3/16
2BK140H	13.75	13.00	13.40	3	H	1 3/4	1 3/4	1 1/4	7/16	1/4	7/8	7/16	3/16
2BK160H	15.75	15.00	15.40	3	H	1 3/4	1 3/4	1 1/4	7/16	1/4	7/8	7/16	3/16
2BK190H	18.75	18.00	18.40	3	H	1 3/4	1 3/4	1 1/4	7/16	1/4	7/8	7/16	3/16

QD SHEAVES

QD孔皮带轮



for "4L" or "A" Belts and "5L" or "B" Belts
与"4L","A"和"5L","B"型号皮带配合使用

3BK45H TO 3BK190H

Table 11

(in.)

SIZE 规格	DIAMETER				Form 型号	BUSHIN G	DIMENSIONS						
	De 外径	Di	Dp节径				M	D	G	Q	J	E	F
			"A"	"B"									
3BK45H	4.25	2 5/8	3.50	3.90	2	H	2 1/2	1 1/4	1/2	11/16	7/8	7/16	3/16
3BK47H	4.45	2 11/16	3.70	4.10	2	H	2 1/2	1 1/4	1/2	11/16	7/8	7/16	3/16
3BK50H	4.75	3	4.00	4.40	2	H	2 1/2	1 1/4	1/2	11/16	7/8	7/16	3/16
3BK52H	4.95	3 3/16	4.20	4.60	2	H	2 1/2	1 1/4	1/2	11/16	7/8	7/16	3/16
3BK55H	5.25	3 1/2	4.50	4.90	2	H	2 1/2	1 1/4	1/2	11/16	7/8	7/16	3/16
3BK57H	5.45	3 11/16	4.70	5.10	2	H	2 1/2	1 1/4	1/2	11/16	7/8	7/16	3/16
3BK60H	5.75	4	5.00	5.40	3	H	2 1/2	1 1/4	1/2	11/16	7/8	7/16	3/16
3BK62H	5.95	4 3/16	5.20	5.60	3	H	2 1/2	1 1/4	1/2	11/16	7/8	7/16	3/16
3BK65H	6.25	4 1/2	5.50	5.90	3	H	2 1/2	1 1/4	29/32	9/32	7/8	7/16	3/16
3BK67H	6.45	4 11/16	5.70	6.10	3	H	2 1/2	1 1/4	29/32	9/32	7/8	7/16	3/16
3BK70H	6.75	5	6.00	6.40	3	H	2 1/2	1 1/4	29/32	9/32	7/8	7/16	3/16
3BK80H	7.75	6	7.00	7.40	3	H	2 1/2	1 1/4	27/32	11/32	7/8	7/16	3/16
3BK90H	8.75	7	8.00	8.40	3	H	2 1/2	1 1/4	27/32	11/32	7/8	7/16	3/16
3BK100H	9.75	8	9.00	9.40	3	H	2 1/2	1 1/4	27/32	11/32	7/8	7/16	3/16
3BK110H	10.75	9	10.00	10.40	3	H	2 1/2	1 1/4	27/32	11/32	7/8	7/16	3/16
3BK120H	11.75	10	11.00	11.40	3	H	2 1/2	1 1/4	27/32	11/32	7/8	7/16	3/16
3BK130H	12.75	11	12.00	12.40	3	H	2 1/2	1 1/4	25/32	13/32	7/8	7/16	3/16
3BK140H	13.75	12	13.00	13.40	3	H	2 1/2	1 1/4	25/32	13/32	7/8	7/16	3/16
3BK160H	15.75	14	15.00	15.40	3	H	2 1/2	1 1/4	25/32	13/32	7/8	7/16	3/16
3BK190H	18.75	17	18.00	18.40	3	H	2 1/2	1 1/4	25/32	13/32	7/8	7/16	3/16